

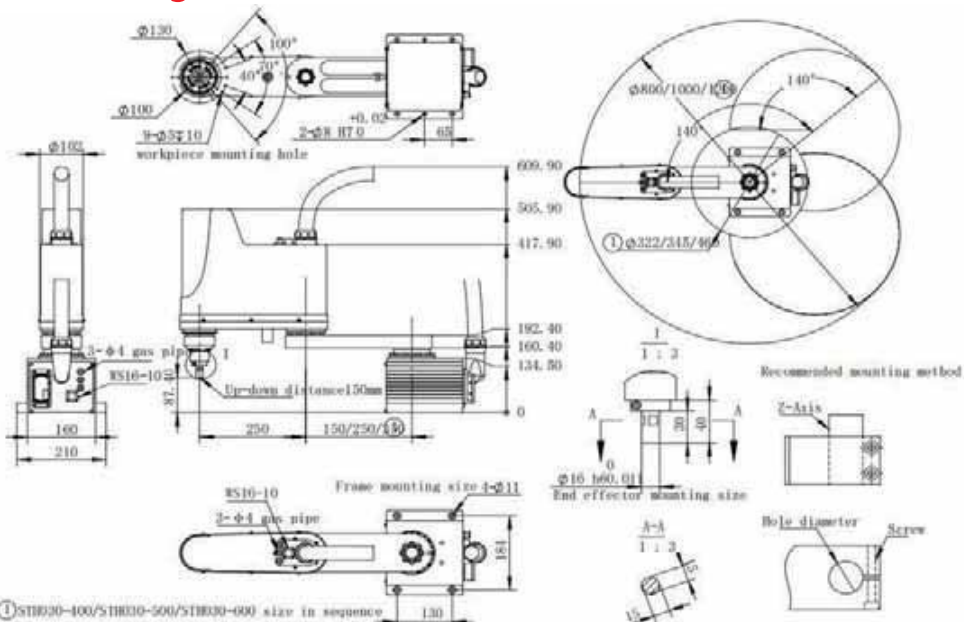
HANDLING
WELDING
PALLETIZING
SCARA
BENDING



STH030E
Payload : 3kg
Arm Reach : 400/500/600mm

		J1 axis			J2 axis	J3 axis	R axis
Shaft Specification	Arm length (mm)	STH030E-400 150	STH030E-500 250	STH030E-600 350	250	150	-
	Rotation range (degrees)		140 -140		140 -140		360 -360
Motor name		NOVANCE Brand					
Motor output		400W(AC)			200W(AC)	200W(AC)	100W(AC)
Reducer		Laifu Harmonic + SHMPO Harmonic					
Reducer mechanism	Driving method	Motor and reducer			Direct		pulley + belt
	Reducer and output	Direct					pulley + belt
Repeat positioning accuracy (X, Y, Z: mm) (1: degrees)		±0.01				±0.02	±0.016
Max. speed (xy,z:mm/sec) (r:degree/sec)		360			576	800	665
Maximum handling weight (kg)		3kg					
Standard cycle time: 1KG be transported(s)		0.4s					
R axis allows moment of inertia (kgm ²)		0.05					
Input (IN) Output (OUT)		0.2*10					
User piping (outside)		4*3					
Robot cable length (m)		Standard: 3			Optional: 5		
Body weight (KG)		16.5-19KG					
Controller cabinet		TRC3C-A04					

Motion Range



- ① STH030-400/STH030-500/STH030-600 size in sequence
- ② The Z axis height for the three models are different, refer to 3D drawing for the details.